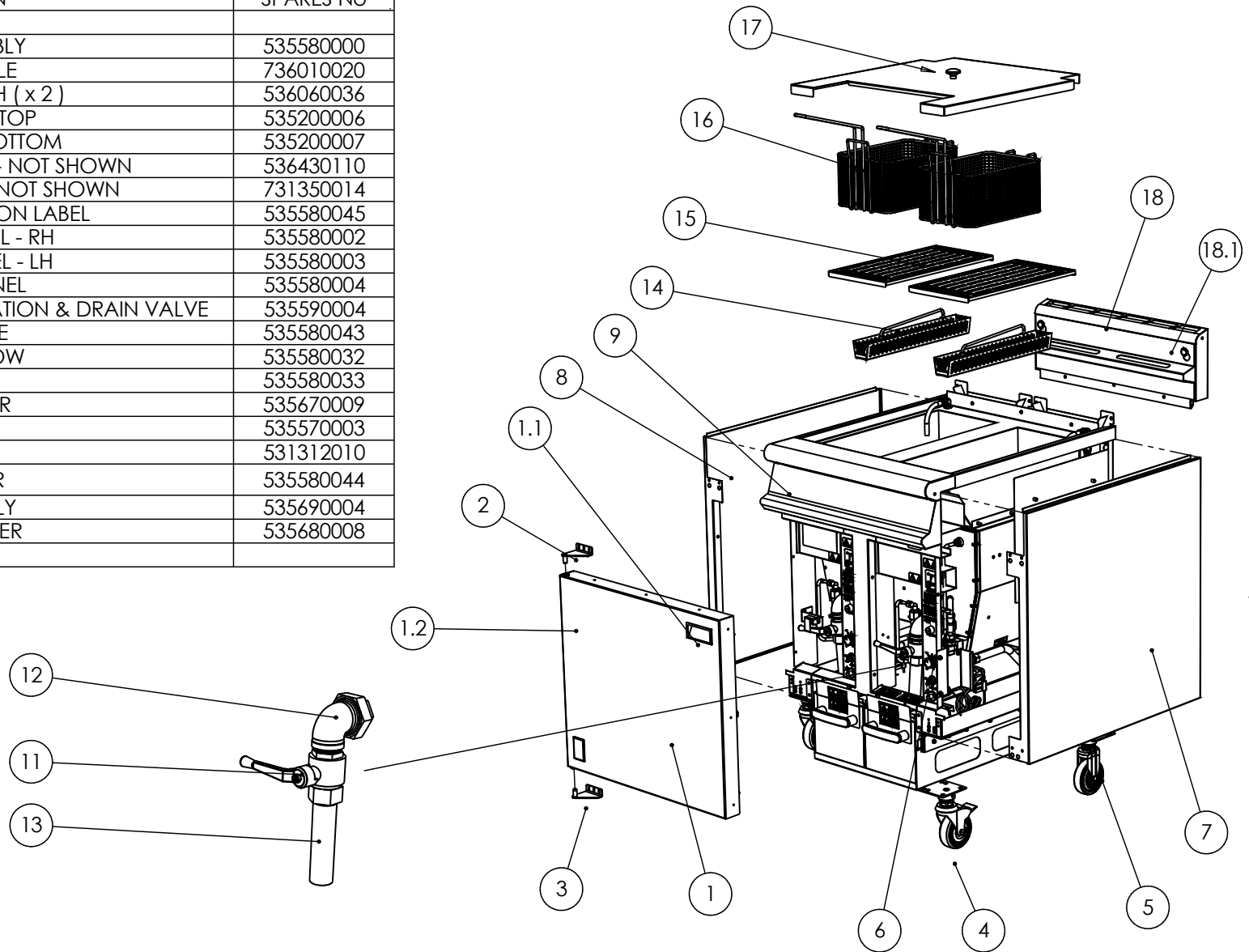




G3865F - SPARES - MAIN BODY

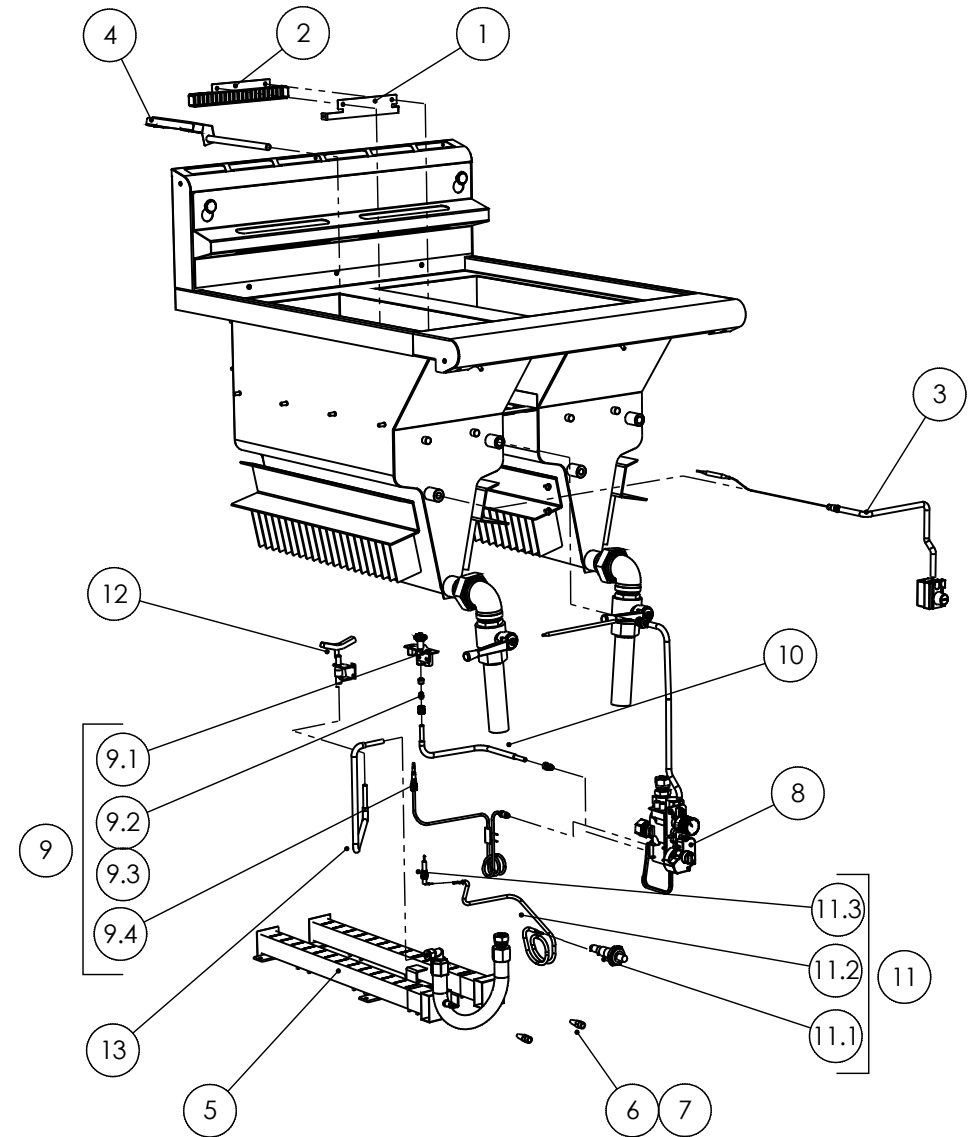
ITEM	DESCRIPTION	SPARES No
1	DOOR ASSEMBLY	535580000
1.1	DOOR HANDLE	736010020
1.2	DOOR HINGE BUSH (x 2)	536060036
2	DOOR HINGE - TOP	535200006
3	DOOR HINGE - BOTTOM	535200007
4	CASTOR - BRAKED (x 2) - NOT SHOWN	536430110
5	CASTOR - FIXED (x 2) - NOT SHOWN	731350014
6	CONTROLS INDICATION LABEL	535580045
7	OUTER SIDE PANEL - RH	535580002
8	OUTER SIDE PANEL - LH	535580003
9	CONTROL PANEL	535580004
10	HOB/PAN ASSEMBLY C/W INSULATION & DRAIN VALVE	535590004
11	DRAIN VALVE	535580043
12	1" UNION ELBOW	535580032
13	DRAIN PIPE	535580033
14	PAN STRAINER	535670009
15	FISH PLATE	535570003
16	BASKET	531312010
17	DUST COVER	535580044
18	FLUE ASSEMBLY	535690004
18.1	BASKET HANGER	535680008





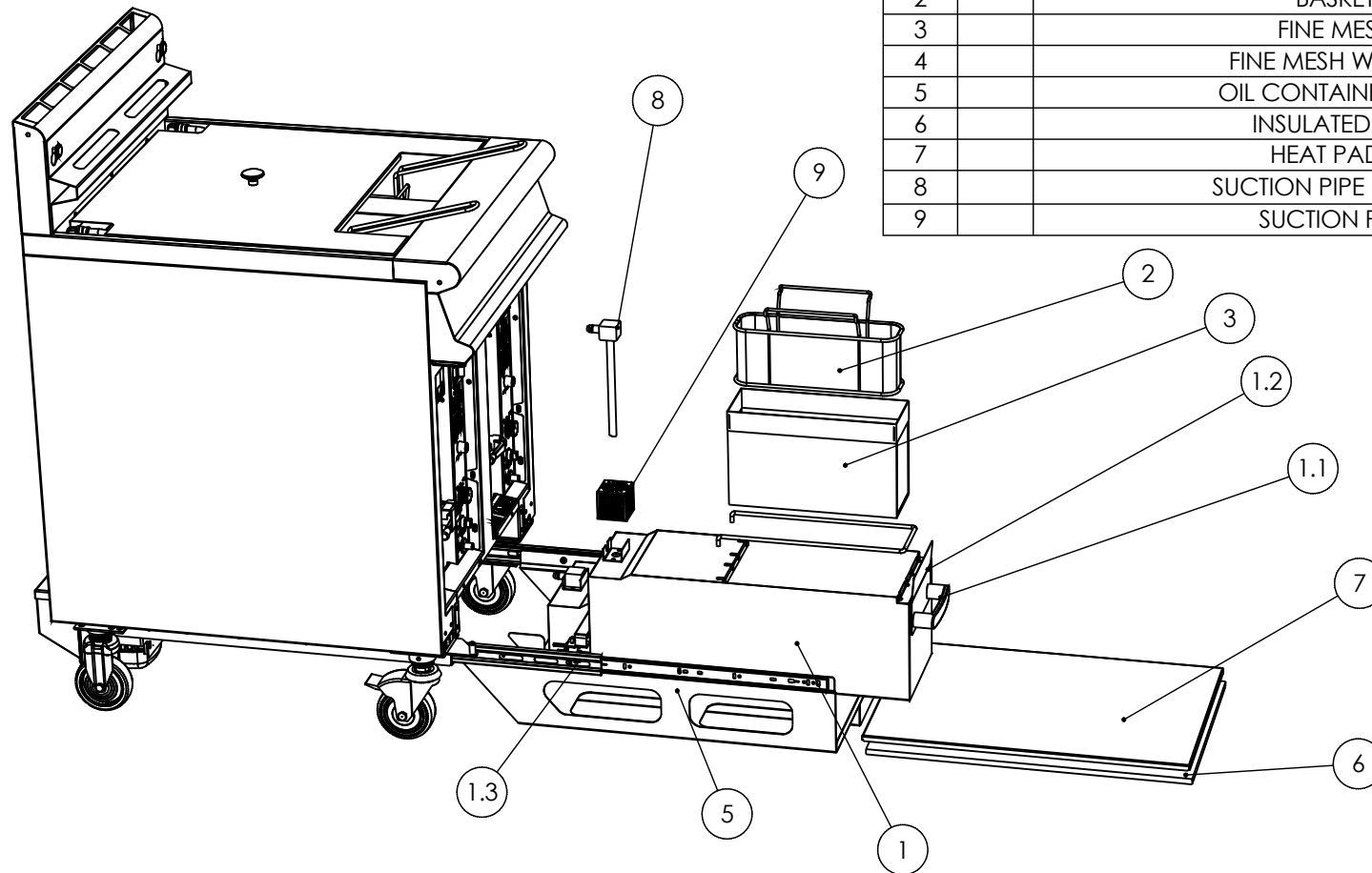
G3865F - SPARES - CONTROLS

ITEM	DESCRIPTION	SPARES No
1	OPERATING STAT PHIAL MOUNTING BRACKET	535580006
2	OPERATING STAT PHIAL COVER	535580007
3	SAFETY THERMOSTAT	535580008
4	SAFETY STAT PHIAL MOUNT BRACKET	535670018
5	BURNER ASSEMBLY (NO INJECTORS)	535670019
6	BURNER INJECTORS (x 2) - NAT GAS	535670020
7	BURNER INJECTORS (x 2) - PROPANE	535570004
8	GAS CONTROL VALVE C/W FITTINGS - NAT & PROPANE	535590012
9	PILOT ASSEMBLY - NAT & PROPANE	535580013
9.1	3 FLAME PILOT	530760007
9.2	PILOT INJECTOR - NAT GAS	537350013
9.3	PILOT INJECTOR - PROPANE	537350014
9.4	THERMOCOUPLE	535670024
10	PILOT PIPE C/W FITTINGS	535570005
11	SPARK IGNITOR ASSEMBLY	535670026
11.1	SPARK IGNITOR	535010000
11.2	SPARK IGNITOR CABLE	535710115
11.3	SPARK ELECTRODE	537350007
12	CROSS LIGHTER ASSEMBLY - NAT & PROPANE	535670027
12.1	CROSS LIGHTER INJECTOR - NAT GAS (NOT SHOWN)	535710091
12.2	CROSS LIGHTER INJECTOR - PROPANE (NOT SHOWN)	531300070
13	CROSS LIGHTER PIPE C/W FITTINGS	535720080
14	GAS GOVERNOR - NAT GAS (NOT SHOWN)	535480015





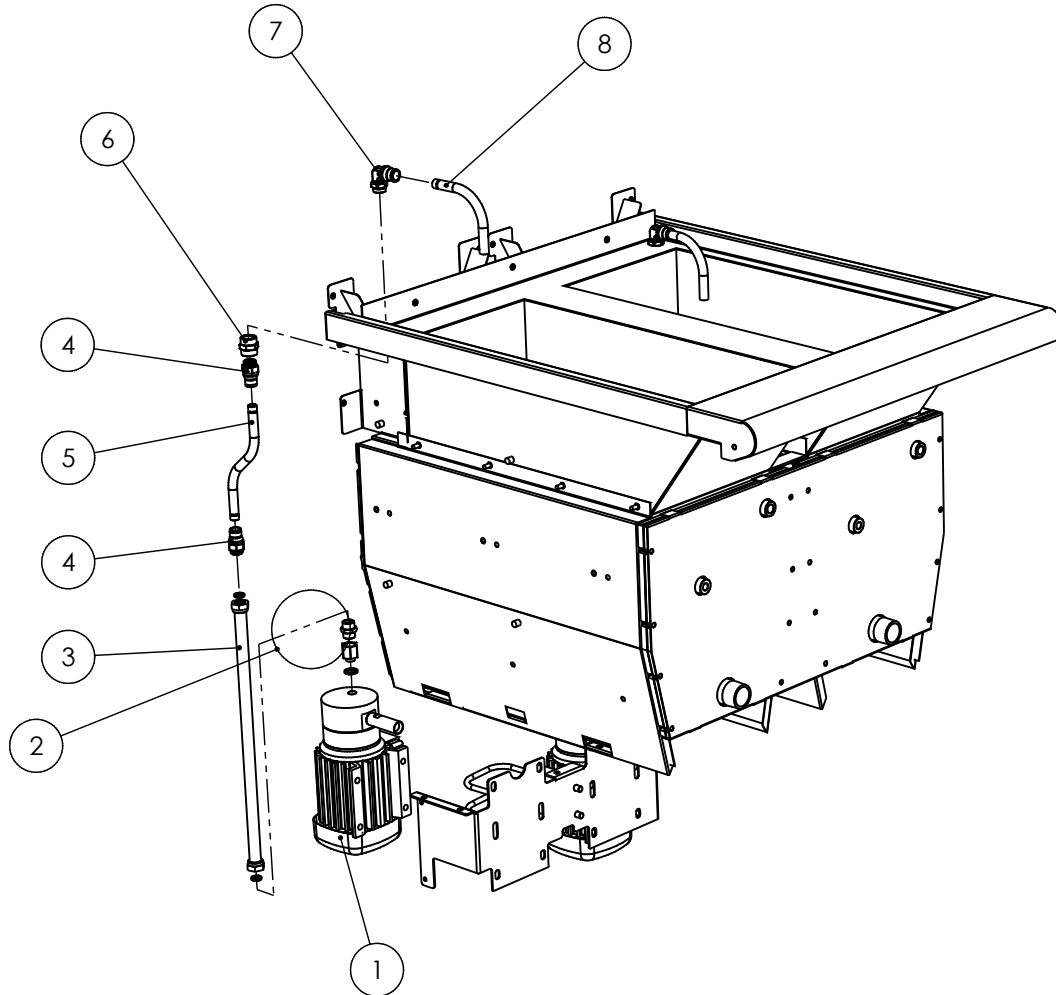
G3865F - SPARES - OIL CONTAINER



ITEM	DESCRIPTION	SPARES No
1	OIL CONTAINER ASSY	535590008
1.1	OIL CONTAINER HANDLE	731350030
1.2	OIL CONTAINER FRONT GUARD	535580035
1.3	OIL CONTAINER VALVE ASSY	535580050
2	BASKET FILTER	535580037
3	FINE MESH FILTER	535580038
4	FINE MESH WIRE SUPPORT	535580039
5	OIL CONTAINER CARRIAGE	535590006
6	INSULATED HEAT PAD	535580041
7	HEAT PAD COVER	535580042
8	SUCTION PIPE C/W "O" RING	535580051
9	SUCTION PIPE FILTER	535580052



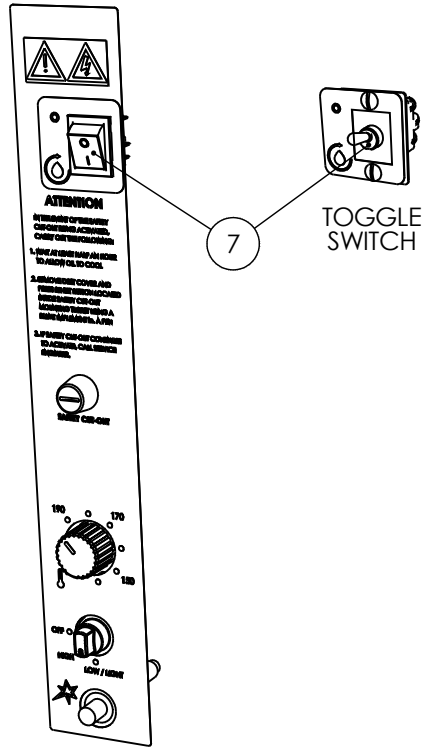
G3865F - SPARES - PUMP & FITTINGS



ITEM	DESCRIPTION	SPARES No
1	OIL PUMP C/W SCREWS	535770077
2	PUMP TO PIPE FIXINGS	535770210
3	FLEXI HOSE C/W SEALS	535770111
4	PUSH IN STREIGHT FITTING 3/8" MALE	535770084
5	OIL FILTRATION PIPE	535580046
6	ADAPTOR 3/8" EQUAL FEMALE	535580048
7	PUSH IN ELBOW 3/8" MALE	533500013
8	OIL RETURN PIPE	535580047



G3865F - SPARES - ELECTRICS



ITEM	DESCRIPTION	SPARES No
1	MAINS CABLE GLAND	732630040
2	MAINS TERMINAL 3 WAY	732910270
3	PUMP TIMER	536470007
4	DIN RAIL STOP	535580053
5	FUSE 5A ANTI SURGE	536430009
6	FUSE HOLDER	734310510
7	TOGGLE PUMP SWITCH (PRE SEP 18)	535580055
	ROCKER PUMP SWITCH (POST SEP 18)	535580056
8	FUSE F 800mA (POST SEP 22)	731460020

